

John Deere

**1063**

Harvester

# **WORKSHOP MANUAL**

**John Deere Dubuque Works**

**TM1997(01NOV01)**

**ENGLISH**



## **0000 General**

### **1000 Power Unit**

1100 Engine Mounting – Removal / Installation

1200 Fuel System

1300 Drive Coupling

1400 Exhaust System

### **2000 Hydraulic System**

2100 Hydraulic Tank and Filters

2200 Working Hydraulics

2210 Working Pump - Rexroth A11VO Repair Instructions

2220 Hydrostatic Cooling

2240 Auxiliary valve

2250 How to Check and Adjust Pressures

2300 Hydrostatic Drive System

2310 How to Check and Adjust Pressures

Drive Pump – Rexroth A4VG Repair Instructions

Drive Motor – Rexroth A6VM Repair Instructions

2400 Valves

2410 Crane Control Valve

VOAC L90LS Directional control valve

VOAC L90LS Directional control valve, Spare Parts

2600 Brake Hydraulics

Appendix 1 – Hydraulic Component Symbols

Appendix 2 – Hydraulic Schematics

## **3000 Electrical**

3050 Main Electrical System

3100 Wiring Diagrams

3200 Control System TMC

3300 Measuring System TJ3000

## **4000 Power Train**

4100 Transfer Case

4200 Prop Shafts

4300 Axles

4500 Axles/Bogies

NAF Service Manual and Repair Instruction LOK 75; Front Axle

NAF Service Manual and Repair Instruction LOK 85; Rear Axle with Transfer Case

## **5000 Cabin and Controls**

## **6000 Frames / Covers**

6100 Frame Brake

## **7000 Boom**

7100 Boom CH397

7100-1 General Description

7100-2 Technical Specifications

**Thanks very much for your reading,  
Want to get more information,  
Please click here, Then get the complete  
manual**

**JustClickHere** 

**NOTE:**

**If there is no response to click on the link above,  
please download the PDF document first, and then  
click on it.**

**Have any questions please write to me:  
[admin@servicemanualperfect.com](mailto:admin@servicemanualperfect.com)**

**7150 Boom Cylinders**

7150-1 Description and Operation

7150-2 Slewing Cylinders Servicing

7150-4 Main Boom Cylinder Removal &amp; Installation

7150-6 Main Boom Cylinder Servicing

7150-8 Jib Boom Cylinder Removal &amp; Install

7150-12 Jib Boom Cylinder Servicing

7150-14 Extension Boom Cylinder Removal &amp; Install

7150-17 Extension Boom Cylinder Servicing

**7200 Maintenance**

Indexator Rotators - Disassembly and Assembly Instructions

**8000 Optional Equipments**

Eberspächer Troubleshooting and Repair Manual

All information, illustrations and specifications in this manual are based on the latest information available at the time of publication. The right is reserved to make changes at any time without notice.

COPYRIGHT © 2001  
DEERE & COMPANY  
Moline, Illinois  
All rights reserved.

## Service tools for 1063 Harvester

### Base Machine

**F612883** Middle joint pivot pin nut tool

### Notes

### Crane

**F057655** Lifting boom piston tool  
**F038312** Lifting boom cover tool  
**F617765** Jib boom cylinder piston tool  
**F034814** Jib boom cylinder cover tool  
**F061007** Extension boom cylinder tool  
**F055825** Pivot nut spanner, d=60  
**F055826** Pivot nut spanner, d=70

### TMC

**F057934** Etools, tool kit for TMC  
F057938 Etools software program  
F057935 PCMCIA card for Etools  
F057937 Cable PC card / TMC  
F057941 TMC programs

Computer required  
Included in kit F057934  
Included in kit F057934  
Included in kit F057934  
Included in kit F057934

**F056782** Electronic Cable Tester  
**F602100** CAN-bus traffic tester

Harvester boom cable tester



## **1000 Power Unit**

1100 Engine Mounting – Removal / Installation

1200 Fuel System

1300 Drive Coupling

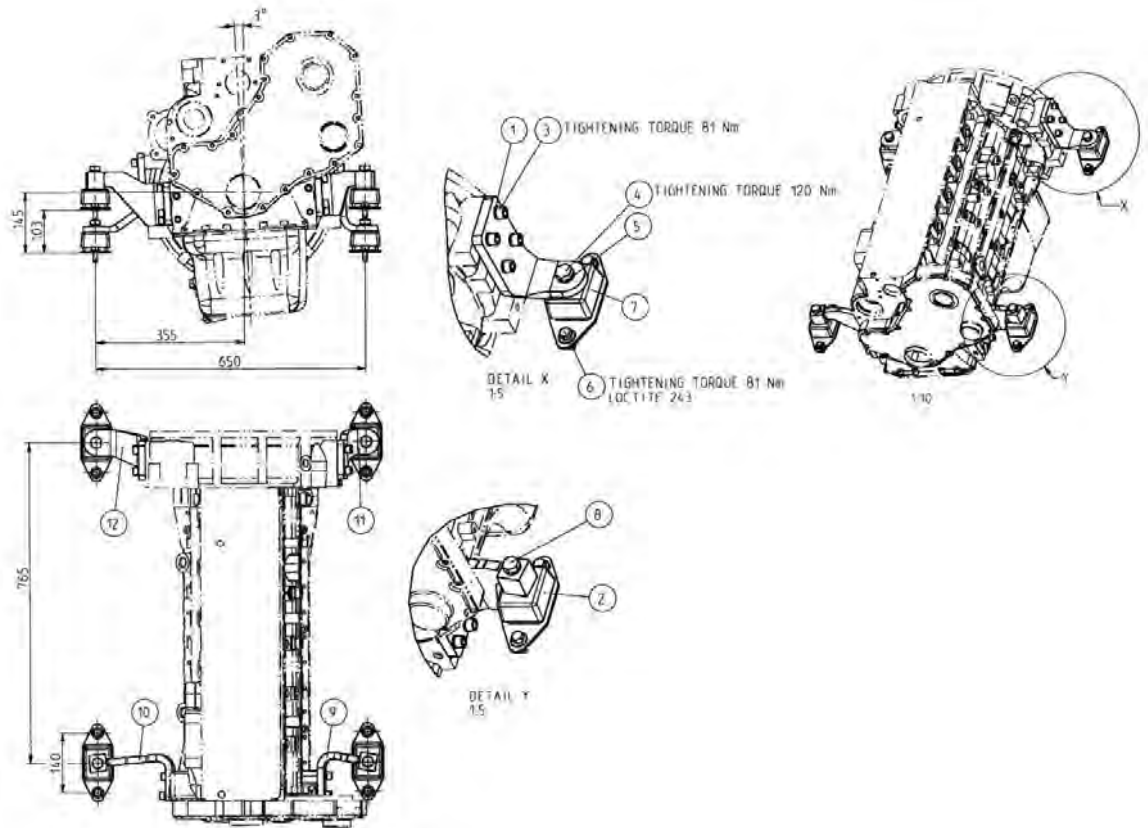
1400 Exhaust System

Cummins Shop Manual 1991 and 1994 Certification Levels –  
See Bulletin 3666017-01

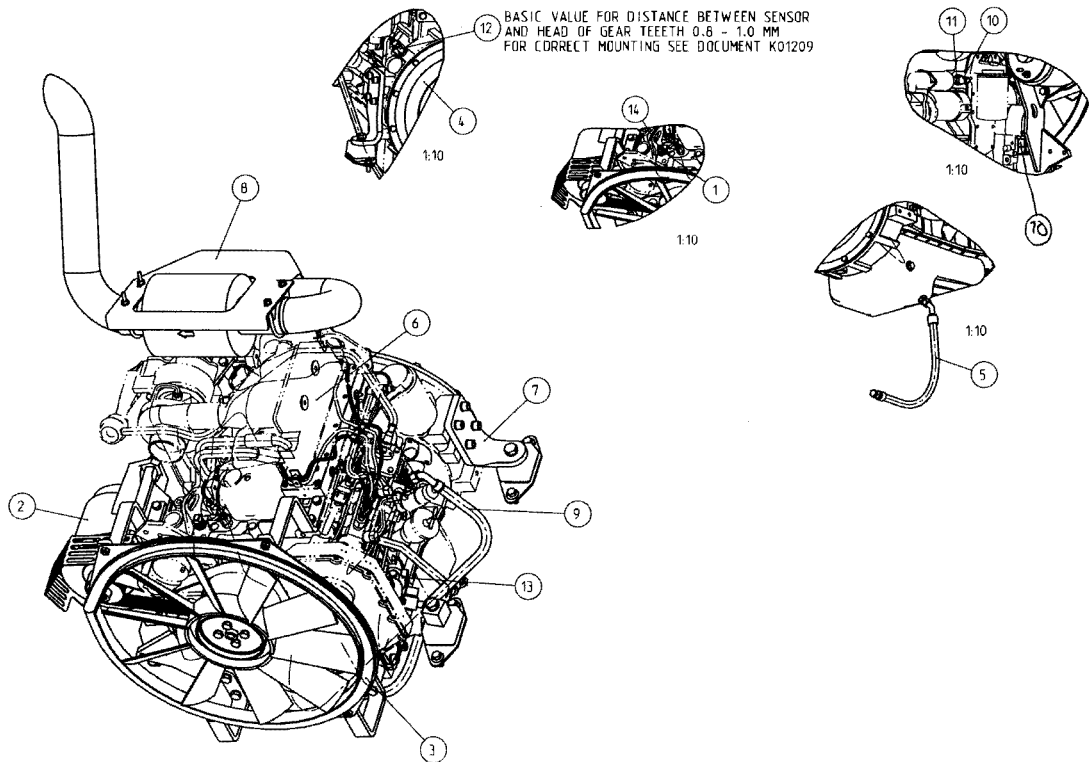
Cummins Troubleshooting and Repair Manual 1991 and 1994  
Certification Levels – See Bulletin 3666087



## 1100 Engine Mounting – Removal / Installation

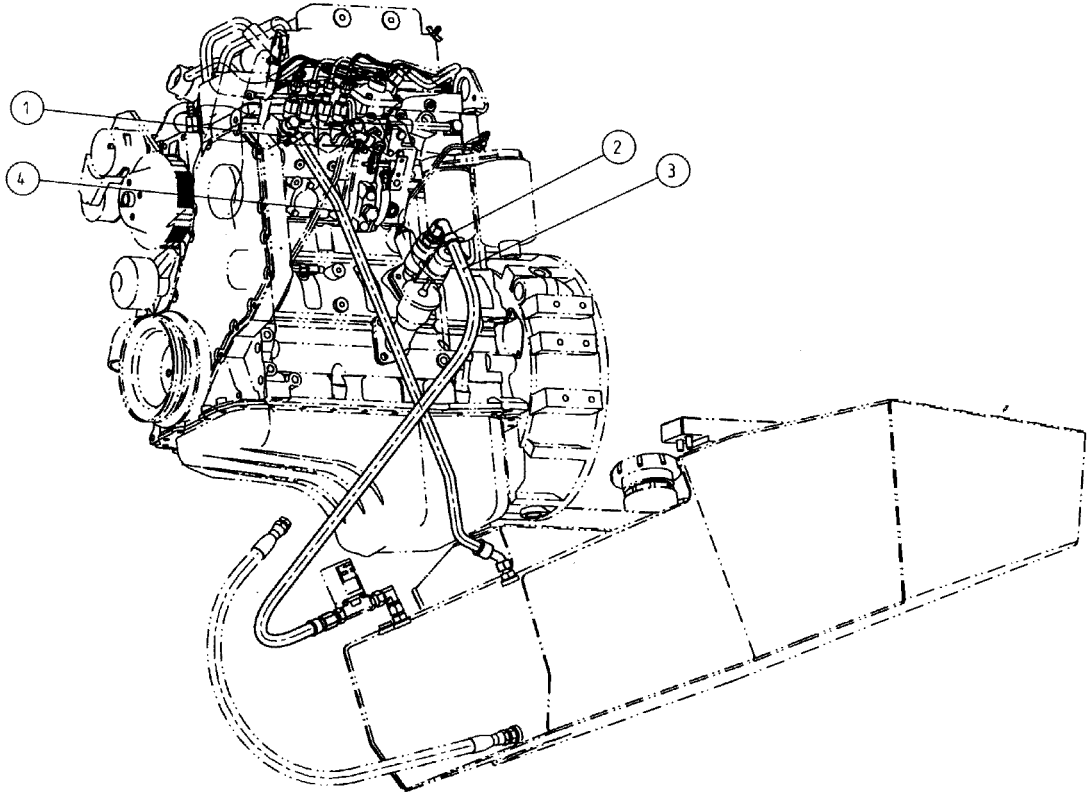


1. Lock washer
2. Damper
3. Screw
4. Screw
5. Lock washer
6. Screw
7. Damper
8. Screw
9. Bracket, front left
10. Bracket, front right
11. Bracket, rear left
12. Bracket, rear right



- |                                |                        |
|--------------------------------|------------------------|
| 1. Adapter, temperature sensor | 8. Exhaust tube        |
| 2. Alternator                  | 9. Fuel system         |
| 3. Blower                      | 10. Hose nipple        |
| 4. Coupling                    | 11. Nipple             |
| 5. Drain                       | 12. Pulse sensor       |
| 6. Engine                      | 13. Regulator          |
| 7. Bracket                     | 14. Temperature sensor |

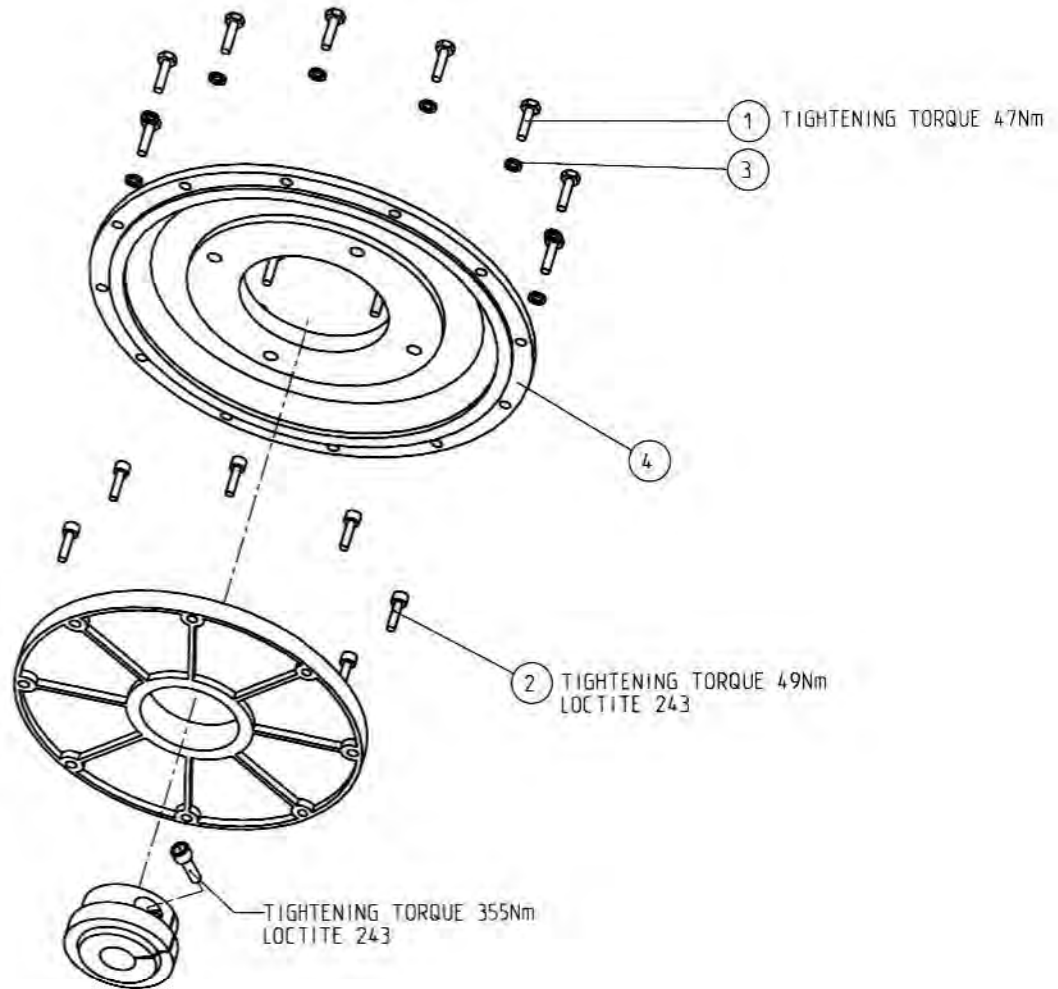
## 1200 Fuel System



1. Hose clamp
2. Nipple
3. Fuel hose
4. Fuel hose



# 1300 Drive Coupling

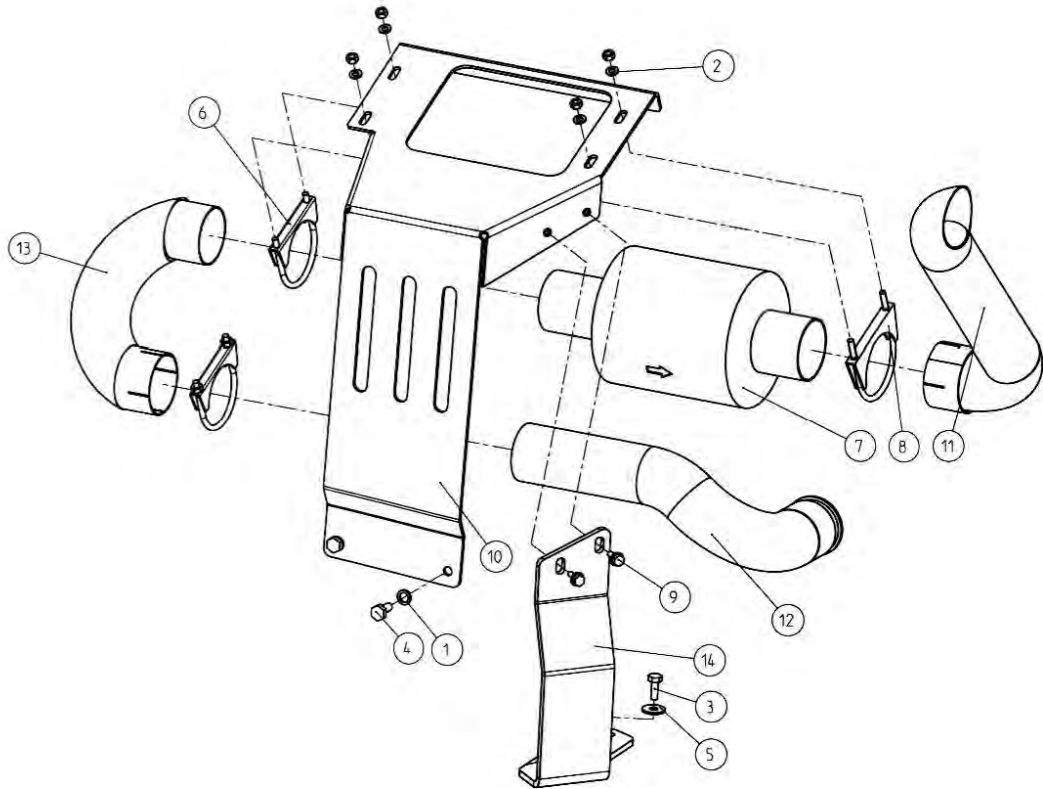


- 1. Screw
- 2. Screw
- 3. Lock washer
- 4. Coupling element





## 1400 Exhaust System



- |                      |                      |
|----------------------|----------------------|
| 1. Lock washer       | 8. Exhaust tube clip |
| 2. Washer            | 9. Screw             |
| 3. Screw             | 10. Bracket          |
| 4. Screw             | 11. Exhaust tube     |
| 5. Washer            | 12. Exhaust tube     |
| 6. Exhaust tube clip | 13. Exhaust tube     |
| 7. Spark arrestor    | 14. Plate            |



## 2000 Hydraulic System

2100 Hydraulic Tank and Filters

2200 Working Hydraulics

2210 Working Pump - Rexroth A11VO Repair Instructions

2220 Hydrostatic Cooling

2240 Auxiliary Valve

2250 How to Check and Adjust Pressures

2300 Hydrostatic Drive System

2310 How to Check and Adjust Pressures

Drive Pump – Rexroth A4VG Repair Instructions

Drive Motor – Rexroth A6VM Repair Instructions

2400 Valves

2410 Crane Control Valve

VOAC L90LS Directional control valve

VOAC L90LS Directional control valve, Spare Parts

2600 Brake Hydraulics

Appendix 1 – Hydraulic Component Symbols

Appendix 2 – Hydraulic Schematics

