

8430 and 8630 Tractors

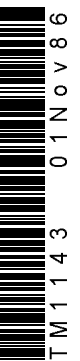


TECHNICAL MANUAL 8430 and 8630 Tractors

TM1143 (01Nov86) English

TM1143 (01Nov86)

LITHO IN U.S.A.
ENGLISH



**8430 AND 8630
TRACTORS
TECHNICAL MANUAL
TM-1143 (Feb-79)**

CONTENTS

SECTION 10—GENERAL

- Group 5 - General Tractor Specifications
- Group 10 - Predelivery, Delivery and After-Sale Services
- Group 15 - Tune-Up
- Group 20 - Lubrication
- Group 25 - Separation
- Group 30 - Specifications and Special Tools

SECTION 20—8430 ENGINE

- Group 5 - General Information, Diagnosis and Tests
- Group 10 - Cylinder Head, Valves and Camshaft
- Group 15 - Cylinder Block, Liners, Pistons and Rods
- Group 20 - Crankshaft, Main Bearings and Flywheel
- Group 25 - Lubrication System
- Group 30 - Cooling System
- Group 35 - Specifications and Special Tools

SECTION 25—8630 ENGINE

- Group 5 - General Information, Diagnosis and Tests
- Group 10 - Cylinder Head, Valves and Camshaft
- Group 15 - Cylinder Block, Liners, Pistons and Rods
- Group 20 - Crankshaft, Main Bearings and Flywheel
- Group 25 - Lubrication System
- Group 30 - Cooling System
- Group 35 - Specifications and Special Tools

SECTION 30—FUEL SYSTEM

- Group 5 - Diagnosing Malfunctions
- Group 10 - Air Intake System
- Group 15 - Diesel Fuel System
- Group 20 - Speed Control Linkage
- Group 25 - Specifications and Special Tools

SECTION 40—ELECTRICAL SYSTEM

- Group 5 - Information and Diagrams
- Group 10 - Electrical Diagnosis
- Group 15 - Delcotron Charging Circuit
- Group 20 - John Deere Charging Circuit
- Group 25 - Delco-Remy Starting Circuit
- Group 30 - John Deere Starting Circuit

- Group 35 - Lighting Circuits
- Group 40 - Instrument and Accessory Circuits
- Group 45 - Remote Electrical Circuits
- Group 50 - Specifications and Special Tools

SECTION 50—POWER TRAIN

- Group 5 - Perma-Clutch[™]
- Group 10 - Quad-Range Planetary
- Group 15 - Independent PTO
- Group 20 - Torque Divider
- Group 25 - Quad-Range[®] Transmission
- Group 30 - Differentials and Drive Shafts
- Group 35 - Final Drives
- Group 40 - Specifications and Special Tools

SECTION 60—STEERING AND BRAKES

- Group 5 - General Information

SECTION 70—HYDRAULIC SYSTEM

- Group 5 - General Information
- Group 6 - Hydraulic System Testing and Diagnosis
- Group 10 - Miscellaneous Hydraulic Components
- Group 15 - Hydraulic Pumps
- Group 20 - Power Steering
- Group 25 - Power Brakes
- Group 30 - Rockshaft and Implement Hitches
- Group 35 - Selective Control Valves, Breakaway Couplers and Remote Cylinders
- Group 40 - Specifications and Special Tools

SECTION 80—SOUND-GARD BODY[®]

- Group 5 - Separation
- Group 10 - Air Conditioning System
- Group 15 - Heating System
- Group 20 - Seat
- Group 25 - Miscellaneous Components
- Group 30 - Specifications and Special Tools

SECTION 90—MISCELLANEOUS

- Group 5 - Wheels
- Group 10 - Specifications

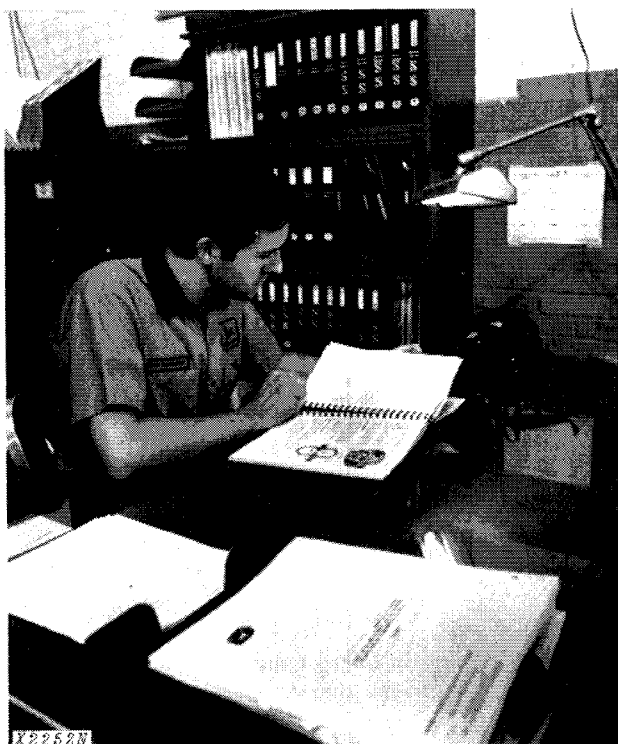
**Copyright© 1979
DEERE & COMPANY
Moline, Illinois
All rights reserved**

All information, illustrations and specifications contained in this technical manual are based on the latest information available at the time of publication. The right is reserved to make changes at any time without notice.

A-00

Litho in U.S.A.

INTRODUCTION



Use FOS Manuals for Reference



Use Technical Manuals for Actual Service

This technical manual is part of a twin concept of service:

- **FOS Manuals—for reference**
- **Technical Manuals—for actual service**

The two kinds of manuals work as a team to give you both the general background and technical details of shop service.

Fundamentals of Service (FOS) Manuals cover basic theory of operation, *fundamentals* of trouble shooting, *general* maintenance, and *basic* types of failures and their causes. FOS Manuals are for training new personnel and for reference by experienced technicians.

Technical Manuals are concise service guides for a specific machine. Technical Manuals are on-the-job guides containing only the vital information needed by an experienced technician.



When a service person should refer to a FOS Manual for more information, a FOS symbol like the one at the left is used in the TM to identify the reference.

Some features of this technical manual:

- *Table of contents at front of manual*
- *Exploded views showing parts relationship*
- *Photos showing service techniques*
- *Specifications grouped for easy reference*

This technical manual was planned and written for you—an experienced technician. Keep it in a permanent binder in the shop where it is handy. Refer to it whenever in doubt about correct service procedures or specifications.

Using the technical manual as a guide will reduce error and costly delay. It will also assure you the best in finished service work.



This safety alert symbol identifies important safety messages in this manual. When you see this symbol, be alert to the possibility of personal injury and carefully read the message that follows.

**Thanks very much for your reading,
Want to get more information,
Please click here, Then get the complete
manual**

JustClickHere 

NOTE:

**If there is no response to click on the link above,
please download the PDF document first, and then
click on it.**

**Have any questions please write to me:
admin@servicemanualperfect.com**

Section 10 GENERAL

CONTENTS OF THIS SECTION

	Page	
GROUP 5 - GENERAL TRACTOR SPECIFICATIONS	5-1	GROUP 25 - SEPARATION
GROUP 10 - PREDELIVERY, DELIVERY, AND AFTER-SALE SERVICES		General Information
Predelivery Services	10-1	Drive Assembly
Delivery Services	10-3	With Front Drive Support
After-Sale Services	10-4	Without Front Drive Support
GROUP 15 - TUNE-UP		Engine
Preliminary Engine Testing	15-1	General Information
Engine Tune-Up	15-1	Method "A" Separation
Engine Final Testing	15-3	Method "B" Separation
Tractor Tune-Up	15-3	Clutch Housing
GROUP 20 - LUBRICATION		Hinge
Lubrication Chart	20-1	General Information
Engine Lubricating Oils	20-2	Between Hinges
Transmission-Hydraulic Oil	20-2	Front Hinge
Greases	20-2	Rear Hinge
Storing Lubricants	20-2	Torque Divider
		Transmission
		GROUP 30 - SPECIFICATIONS AND SPECIAL TOOLS
		Specifications
		Special Tools

Group 5 GENERAL TRACTOR SPECIFICATIONS

Horsepower:*

Maximum observed at PTO	
8430	175 (130 kW)
8630	225 (168 kW)

Engine:

Type 6-cylinder, in-line, valve-in-head, diesel, turbocharged, and intercooled

Engine Speeds:

Slow idle	800 rpm
Working range	1500 to 2100 rpm
Maximum transport speed	2300 rpm

Bore and stroke

8430	4.56 x 4.75 in. (11.6 x 12.1 cm)
8630	5.12 x 5 in. (13.0 x 12.7 cm)

Displacement

8430	466 cu. in. (7636 cm ³)
8630	619 cu. in. (10 143 cm ³)

Compression ratio

8430	15.5 to 1
8630	15.4 to 1

Firing order	1-5-3-6-2-4
Valve clearance	8430
	8630
Injection pump timing	TDC

Lubrication System Force-feed pressurized with full-flow oil filter and by-pass

Fuel System:

Type	Direct injection
Injection pump type	Multiple plunger, in-line
Air cleaner	Dry type with safety element

Cooling System:

Type	Pressurized with centrifugal pump
Temperature controlled by heavy-duty thermostats	
8430	2 thermostats
8630	3 thermostats

Capacities:

Fuel tank..... 78 U.S. gals. (295 l) each tank
Crankcase (with filter change)
8430..... 22 U.S. qts. (21 l)
8630..... 26 U.S. qts. (25 l)
Transmission-hydraulic
system..... 34 U.S. gals. (129 l)
Cooling system
8430..... 40 U.S. qts. (38 l)
8630..... 44 U.S. qts. (42 l)
Front differential 7 U.S. gals. (26 l)

Quad-Range Transmission:

Type..... 2 speed, Power Shift planetary and
8 speed, synchro-range transmission
with constant mesh gears
Perma-ClutchHydraulically operated multiple-
disk wet clutch
Gear selections16 forward and 4 reverse
Shifting
Range selector lever... Collar shifted between
ranges
Speed selector lever
Forward-rearward lever move-
ment... Mechanical synchronized forward
speed shifting of synchro-range transmission
Sideways lever movement..... Power Shift
planetary transmission speeds

Ground speeds at 2100 engine rpm, 18.4-34 tires

Range	Speed	mph	(km/h)
A	1	2.1	(3.3)
	2	2.6	(4.2)
	3	3.7	(6.0)
	4	4.8	(7.7)
	1R.....	3.8	(6.2)
	2R.....	5.0	(8.0)
B	1	4.6	(7.3)
	2	5.9	(9.5)
	3	8.2	(13.2)
	4	10.6	(17.1)
	1R.....	8.5	(13.8)
	2R.....	11.1	(17.9)
C	1	5.3	(8.6)
	2	6.9	(11.1)
	3	9.6	(15.5)
	4	12.5	(20.1)
D	1	8.6	(13.9)
	2	11.2	(18.0)
	3	15.6	(25.1)
	4	20.3	(32.6)

Electrical System:

Type..... 12-volt, negative grounded
Batteries
8430..... Two, 6-volt, connected in series.
5D type; 800 amps cold cranking
at 0°F (-17.8°C); 340 minutes
reserve capacity at 25 amps
8630..... Two, 6-volt, connected in series;
4 type, 880 or 975** amps cold
cranking at 0°F (-17.8°C); 420
minutes reverse capacity at 25 amps
Alternator..... 12-volt, with transistorized
regulator; 72 amp

Power Take-Off:

Type..... Independent PTO with rear power
take-off controlled by hand-operated
clutch lever
Clutch..... Multiple disk, wet clutch, hydraulically
actuated
Speed (2100 engine rpm) 1000 rpm

Hydraulic System:

Type..... Closed center, constant pressure. In-
cludes power steering, power brakes,
implement control, and transmission and
differential lubrication
Standby pressure 2300 psi (15.8 MPa)

Brakes..... Hydraulically power-actuated
disk-type operating in oil

Tires (standard)* 18.4-34, 6-ply rating

Wheel Tread: See operator's manual

Dimensions:

Wheel base 125 in. (3.175 m)
Over-all length 223.5 in. (5.677 m)
Over-all height to top
of muffler 134.5 in. (3.416 m)
Over-all width-reg. axle..... 95.8 in. (2.434 m)
-long axle..... 118.4 in. (3.008 m)
Turning radius (80-in. [2.03 m]
tread) 223 in. (5.67 m)

Shipping Weight (With equipment for average
field service, less fuel and ballast)

8430..... 22,010 lbs. (9 984 kg)
8630..... 24,150 lbs. (10 954 kg)

*Additional tires sizes available

**Later models

Group 10

PREDELIVERY, DELIVERY AND AFTER-SALE SERVICE

PREDELIVERY SERVICE

Because of the shipping factors involved, plus extra finishing touches that are necessary to promote customer satisfaction, proper predelivery service is of prime importance to the dealer.

A tag pointing out the factory-recommended procedure for predelivery service is attached to each new tractor before it leaves the factory.

After completing the factory-recommended dealer checks and services listed on the predelivery tag, remove the tag from the tractor and file it with the shop order for the job. The tag will certify that the tractor has received the proper predelivery service when the portion of the customer's John Deere Delivery Receipt is completed.

NOTE: A Caplug is placed in the muffler outlet to prevent turbocharger rotation during transit. Remove Caplug before unloading tractor. Reinstall Caplug before transporting the tractor to the customer.

Temporary Tractor Storage

Service	Specification	Reference
Check radiator for coolant loss and antifreeze protection	1-1/2 in. (38 mm) above baffle in radiator top tank.
Reduce shipping pressure of tires	Operator's manual
Cover tractor and tires for protection and cleanliness

Before Delivering Tractor

ELECTRICAL SYSTEM

Charge batteries	FOS - 20 Manual
Install light switch knob
Clean terminals and connect battery cables	Section 40, Group 5
Check alternator belt adjustment ..	85-94 ft-lb (378 to 423 N)	Operator's manual

COOLING SYSTEM

Inspect radiator for coolant loss ...	1-1/2 in. (38 mm) above baffle in radiator top tank.
Check antifreeze protection
Tighten radiator hose clamps
Tighten hose connections

Before Delivering Tractor—Continued

Service	Specification	Reference
TIRES AND WHEELS		
Adjust pressure of tires	Operator's manual
Check wheel rim clamp nuts and wheel retainer cap screws for tightness	Rim clamp nuts—170 ft-lbs (230 Nm) Retainer cap screws—300 ft-lbs (407 Nm)
For single wheel operation, set front and rear wheel tread to a minimum of 80 in. (2.03 m) and add at least 1000 lb. (454 kg) ballast to each wheel.....	Operator's Manual
For hillside operation, use	Operator's Manual
LUBRICATION		
Check crankcase oil level.....	To upper marks on dipstick	Operator's manual
Check transmission-hydraulic system oil level	To top of "SAFE" range on dipstick. John Deere Hy- GARD™ Transmission and Hydraulic Oil	Operator's manual
Check front differential oil level	To level of filler plug opening. SAE 90 gear lubricant	Operator's manual and Section 50, Group 30
Lubricate grease fittings	John Deere Multipurpose Lubricant	Operator's manual
ENGINE		
Check air cleaner	Operator's manual
Tighten air intake hose clamps.....
Fill fuel tank and start engine	Capacity 78 U.S. gallons (295 l) each tank	Operator's manual
Check operation of starter, alternator, flasher, gauges, and indicator lights	Operator's Manual
Check engine timing.....	TDC	Section 20, Group 10
Check engine speeds	800 rpm, slow idle speed 2300 rpm, fast idle speed	Section 30, Groups 15 and 20

Before Delivering Tractor—Continued

Service	Specification	Reference
OPERATION		
Shift transmission through all speeds	Operator's manual
Check throttle linkage for free operation	Section 30, Group 20
Adjust headlights and check operation	Operator's manual
Check power takeoff operation	Operator's manual
Check brakes and accumulator	3 in. (7.6 cm) maximum travel when brakes have been bled, and accumulator is working properly	Operator's manual
Check air conditioning, heater, and pressurizer operation	Operator's manual
Check hydraulic system operation; steering, rockshaft, and remote cylinder	Operator's manual
Check seat operation	Operator's manual
GENERAL		
Tighten accessible nuts and cap screws
Clean tractor and touch up paint

DELIVERY SERVICE

A thorough discussion of the operation and service of a new tractor at the time of delivery helps to assure complete customer satisfaction. Proper delivery should be an important phase of a dealer's program. A portion of the John Deere Delivery Receipt emphasizes the importance of proper delivery service.

Many complaints have arisen simply because the owner has not shown how to operate and service his new tractor properly. Spend enough time, at the customer's convenience, to introduce the owner to his new tractor and explain to him how to operate and service it properly.

IMPORTANT: Install Caplug in muffler outlet if transporting tractor to customer. This will prevent damage to the turbocharger caused by air passing through the turbocharger and rotating it without lubrication when the engine is stopped.

The following procedure is recommended before the service person and owner complete the delivery acknowledgments portion of the delivery receipt.

Using the tractor operator's manual as a guide, be sure that the owner understands these points thoroughly:

1. Controls and instruments.
2. How to start and stop the engine.
3. The importance of the break-in period.
4. How to use liquid or cast-iron ballast.
5. All functions of the hydraulic system.
6. Using the power takeoff.
7. The importance of safety.
8. The importance of lubrication and periodic services.

After explaining and demonstrating the above features, have the owner sign the delivery receipt and give him the operator's manual.

AFTER-SALE INSPECTION

The purchaser of a new John Deere tractor is entitled to a free inspection within the warranty period after the equipment has been "run in." The terms of this after-sale inspection are outlined on the back of the John Deere Delivery Receipt.

The purpose of this inspection is to make sure that the customer is receiving satisfactory performance from his tractor. At the same time, the inspection should reveal whether or not the tractor is being operated, lubricated, and serviced properly.

If the recommended after-sale service inspection is followed, the dealer can eliminate a needless volume of service work by preventing minor irregularities from developing into serious problems later on. This will promote strong dealer-customer relations and present the dealer an opportunity to answer questions that may have arisen during the first few days of operation. During the inspection service, the dealer has the further opportunity of promoting the possible sale of other new equipment.

The following inspection program is recommended within the first 100 hours of tractor operation.

Inspection Procedure

Service	Specification	Reference
COOLING SYSTEM		
Check radiator coolant level.....	1-1/2 in. (38 mm) above baffle in radiator top tank
Clean external surface of radiator core.....
Tighten hose clamps and check connections for leaks.....
FUEL SYSTEM		
Remove water and foreign matter from filter sediment bowl.....	Operator's manual
Bleed fuel system.....	Operator's manual
Tighten loose connections and check entire system for leaks, correct if necessary.....
Check air cleaner elements and aspirator. Clean primary element if necessary.....	Operator's manual
ELECTRICAL SYSTEM		
Check specific gravity of batteries..	Full charge - 1.260 at 80°F (27°C)....	Operator's manual
Check level of battery electrolyte..	To bottom of filler neck in each cell.....	Operator's manual Operator's manual
Check alternator belt tension.....	85-94 lbs. (378-423 N).....	Operator's manual

Inspection Procedure—Continued

Service	Specification	Reference
Start engine and check operation of starter, lights, and indicator lamps	Operator's manual
LUBRICATION		
Check crankcase oil level.....	To upper marks on dipstick	Operator's manual
Check transmission-hydraulic system oil level	In "SAFE" range on dipstick. Use John Deere Hy-GARD Transmission and Hydraulic Oil.....	Operator's manual
Check front differential oil level....	To level with filler plug opening Use SAE 90 Gear Lubricant	Operator's manual and Section 50, Group 30
ENGINE		
Check valve clearance.....	Intake: 0.013 to 0.017 in. (0.33 to 0.43 mm) Exhaust: 0.023 to 0.027 in. (0.58 to 0.68 mm)	
Check engine speed under load, fuel consumption, and horsepower	Specification	Group 15 of this Section.
Check air intake connections.....
TRACTOR AND POWER TRAIN		
Shift transmission through all speeds	Operator's manual
Check power steering	Smooth, easy operation	Section 70, Group 20
Check brakes and accumulator....	3 inches (7.6 cm) maximum brake travel when brakes have been bled and accumulator is working properly.....	Operator's manual

*Later model 6619 engine

Inspection Procedure—Continued

Service	Specification	Reference
HYDRAULIC SYSTEM		
Check rockshaft and remote cylinder operation	Section 70, Group 30 and 35
Check entire tractor for leaks. Inspect drive shafts, hydraulic system pipes and hoses, and check tractor cab controls for proper operation	Operator's manual
NUTS AND CAP SCREWS		
Tighten accessible nuts and cap screws that seem to require adjustment

TORQUE CHART

Diameter	B-Grade*		D-Grade*		F-Grade*		G-Grade*	
	lb-ft	Nm	lb-ft	Nm	lb-ft	Nm	lb-ft	Nm
1/4 inch	6	(8.1)	10	(13.6)	14	(19)	15	(20.3)
5/16 inch	13	(17.6)	20	(27.1)	30	(40.7)	32	(42.4)
3/8 inch	23	(31.2)	35	(47.5)	50	(67.8)	56	(75.9)
7/16 inch	35	(47.5)	55	(74.6)	80	(108.5)	92	(124.7)
1/2 inch	55	(74.6)	85	(115.3)	120	(162.7)	140	(189.8)
9/16 inch	75	(101.7)	130	(176.3)	175	(237.3)	200	(271.2)
5/8 inch	105	(142.4)	170	(230.5)	240	(325.4)	280	(379.7)
3/4 inch	185	(250.9)	300	(406.8)	425	(576.3)	497	(673.9)
7/8 inch	160	(217)	445	(603.4)	685	(928.9)	800	(1084.8)
1 inch	250	(339)	670	(908.5)	1030	(1396.7)	1200	(1627.2)

*The types of bolts and cap screws are identified by head markings as follows:

Plain Head: regular machine bolts and cap screws.

3-Dash Head: tempered steel high-strength bolts and cap screws.

6-Dash Head: tempered steel extra high-strength bolts and cap screws.

12.9 or 12.9: tempered steel extremely high-strength bolts and cap screws.

Group 15 TUNE-UP

Before tuning up a tractor, determine whether a tune-up will restore operating efficiency. When there is doubt, the following preliminary tests will help to determine if the engine can be tuned up. If the condi-

tion is satisfactory, proceed with the tune-up. Choose from the following procedures only those necessary to restore the unit.

Preliminary Engine Testing

Operation	Specification	Section-Group Reference
Dynamometer Test (at 2100 engine rpm full load) ... (See Page 15-4 for PTO-Engine Speed relationship)	Compare with previous recorded output; compare with output after tune-up	FOS - 30 Manual, Chapter 12
Compression Test	330-380 at 200-250 rpm	FOS - 30 Manual, Chapter 12
Engine Coolant Check Test	No air bubbles or oil film in radiator	FOS - 30 Manual, Chapter 12

Engine Tune-up

Operation	Specification	Section-Group Reference
Air Intake System Service air cleaner and check system for leaks	FOS - 30 Manual, Chapter 12
Manifold pressure	Reading at 2100 rpm 8430 - 19 to 23 psi (131 to 159 kPa) 8630 - 14 to 17 psi (95 to 117 kPa) .	30-10
Check system for restrictions using water manometer	FOS - 30 Manual, Chapter 12
Normal reading, inches of water (with clean filter elements)	16 in. (40.6 cm) at 2100 rpm (full load)
Maximum permitted reading	25 in. (63.5 cm) at 2100 rpm (full load)
Check restriction indicator light operation	24-26 in. (61.0-66.0 cm)
Exhaust System Check system for leaks	FOS - 30 Manual, Chapter 12
Check muffler and exhaust pipe for restrictions	FOS - 30 Manual, Chapter 12

Engine Tune-up—Continued

Operation	Specification	Section-Group Reference
Crankcase Ventilating System		
Check system for restrictions		FOS -30 Manual, Chapter 12
Cooling System		
Clean grill screen, radiator core, and oil cooler core		20-30, 25-30
Clean and flush system; check thermostat		20-30, 25-30
Check pressure cap	6.25 to 7.50 psi (43 to 52 kPa)	
	release pressure	20-30, 25-30
Tighten hose clamps		----
Cylinder Head and Valves		
Cylinder head cap screw torque		
8430 (in sequence)	125 to 135 ft-lbs (169 to 183 Nm) - "F" grade cap screws	
	135 to 165 ft-lbs (183 to 224 Nm) - "G" grade cap screws	20-10
8630 (in sequence)	205 to 215 ft-lbs (278 to 293 Nm)	25-10
Set valve clearance		
8430	Intake: 0.018-in. (0.46 mm) Exhaust: 0.028-in. (0.71 mm)	20-10
8630	Intake: 0.013 to 0.017 in. (0.33 to 0.43 mm) Exhaust: 0.023 to 0.027 in. (0.58 to 0.68 mm)	25-10
Diesel Fuel System		
Check fuel tanks for water		30-15
Check fuel pump pressure	Approx. 20 psi (138 kPa)	30-15
Change filter		30-15
Injection Pump:		
Service and check timing	TDC	30-15
Adjust throttle linkage	2300 rpm fast idle speed	30-20
	800 rpm slow idle speed	30-20
Lubrication system		
Check engine oil pressure (2100 rpm)	40 - 55 psi (275 - 379 kPa) (8430 and 8630)	20-25, 25-25
Charging System		
Check battery specific gravity	1.240 - 1.260	40-10
Check battery water consumption and electrolyte level		40-10
Clean battery, cables, and box		40-10
Check alternator belt tension	85-94 lbs (423 to 467 N)	40-10
Check alternator output	65 amps minimum (2000 engine rpm)	40-10
Check alternator regulated voltage	14.1 - 14.7 volts (operating)	40-10

Engine Tune-Up—Continued

Operation	Specification	Section-Group Reference
Starting System		
Check start-safety switch operation	40-15
Check battery voltage when starting	Min. 9 volts (cranking)	40-15
Check starter current draw	Approx. 525 amps	40-15
Check operation of gauges and indicator lights	40-25

Final Engine Test

Operation	Specification	Section-Group Reference
Dynamometer Test (at 2100 engine rpm)	Compare with previous recorded output; record for future use	FOS - 30 Manual - ENGINES, Chapter 12

Tractor Tune-up

Operation	Specification	Section-Group Reference
Transmission		
Check shifting	50-10 & 20
Check for proper operation without excessive noise	50-20
Power Take-Off		
Check for proper operation without excessive noise	50-15
Check brake pedal travel	3-inch (7.6 cm) maximum travel with brakes bled and with accumulator working properly	70-25
Check tire inflation	See operator's manual
Clutch oil pump (at main pump inlet)	10 gpm (0.63 l/s) at 2100 rpm	70-15
Main hydraulic pump	Standby pressure—2200 to 2300 psi (15.2 to 15.9 MPa)	70-15
	Capacity—28.5 gpm (1.79 l/s) at 2000 psi (13.8 MPa) and 1750 rpm	70-15
Pressure control valve	1600 to 1700 psi (11.0 to 11.7 MPa) at 800 rpm	70-10
Selective control valve	3 to 18 gpm (0.19 to 1.14 l/s) at 1500 psi (10.34 MPa) and 1750 rpm	70-35

Tractor Tune-Up—Continued

Operation	Specification	Section-Group Reference
Rockshaft:		
Lift cycle time (75 degrees rotation)	2.7 to 2.9 seconds at 2100 rpm	70-5
Maximum oil flow	16 gpm (1.01 l/s) at 2000 psi	70-30
	(13.8 MPa) and 1900 rpm	
Lever position (ZERO load control)		
	Just fully raised with lever front edge at "0" on quadrant	70-30

Hydraulic system pressures, flow rates, or cycle times are for conditions specified in Section 70—transmission-hydraulic oil at 140 to 160°F (60 to 71°C), proper test equipment, correct test sequence, etc.

ENGINE-PTO SPEED RELATIONSHIP

Engine RPM	PTO Speed	Rated PTO Horsepower*
2100 (Full load)	993	175 (8430); 225 (8630)
2300 (Fast idle)	1088	—

*Factory Observed.

Group 20 LUBRICATION

GENERAL INFORMATION

Carefully written and illustrated instructions are included in the tractor operator's manual. Remind your customer to follow the recommendations in these instructions.

For your convenience when servicing the tractor, the following chart showing capacities and type of lubricant for the various components has been included. Additional lubrication information is on page 20-2.

Component	Capacity	Type of Lubricant	Interval of Service
Engine Crankcase	22 U.S. quarts (21 L) with filter change (8430) 26 U.S. quarts (25 L) with filter change (8630)	See "Engine Lubricating Oils" in this group	10 Hours - Check level 100 Hours - Change oil 200 Hours - Replace filter and change oil
Transmission and Hydraulic system	34 U.S. gallons (129 L) (dry system) 26 U.S. gallons (98 L) (refill)	John Deere Hy-GARD Transmission and Hydraulic Oil	200 Hours - Check level 600 Hours - Replace filter 1200 Hours - Change oil and filter
Front differential	7 U.S. gallons (26 L)	SAE 90 gear lubricant	1200 Hours - Change oil
Grease Fittings	John Deere Multi- purpose Lubricant	See Operator's Manual

LUBRICANTS

ENGINE LUBRICATING OILS



We recommend John Deere Torq-Gard[®] Supreme engine oil for use in the engine crankcase. Torq-Gard Supreme is compounded specifically for use in John Deere engines and provides superior lubrication under all conditions. NEVER PUT ADDITIVES IN THE CRANKCASE. Torq-Gard Supreme oil was formulated to provide all the protection your engine needs. Additives could reduce this protection rather than help it.

If Torq-Gard Supreme is not used, use an engine oil that conforms to one of the following specifications.

SINGLE VISCOSITY OILS

API Service CD/SD
MIL-L-2104C
Series 3*

MULTI-VISCOSITY OILS

API Service CC/SE, CC/SD, or SD
MIL-L-46152

* As further assurance of quality, the oil should also be identified as suitable for API service designation SD.

Depending on the expected atmospheric temperature at start for the fill period, use oil of viscosity as shown in the following chart.

Some increase in oil consumption may be expected when SAE 5W-20 or SAE 5W oils are used. Check oil level more frequently.

Other Oils

Air Temperature	John Deere Torq-Gard Supreme Oil	Single Viscosity Oil	Multi-Viscosity Oil
Above 32°F (0°C)	SAE 30	SAE 30	Not recommended
-10 to 32°F** (-23 to 0°C)	SAE 10W-20	SAE 10W	SAE 10W-30
Below -10°F (-23°C)	SAE 5W-20	SAE 5W	SAE 5W-20

** SAE 5W-20 oil may be used where required to insure optimum lubrication at starting, particularly for an engine subjected to -10°F (-23°C) or lower for several hours.

TRANSMISSION HYDRAULIC OILS

Use only John Deere Hy-GARD Transmission and Hydraulic Oil or its equivalent in the transmission hydraulic system. Other types of oil will not give satisfactory service and may result in eventual damage. This special oil, available from your John Deere dealer, may be used in all weather conditions.

NOTE: John Deere Hy-GARD Transmission and Hydraulic Oil may be added to or mixed with John Deere Type 303 Special-Purpose Oil.

GEAR LUBRICANT

Use an SAE 90 gear lubricant meeting API service designation GL-5 and military specification MIL-L-2105B in the front differential housing.

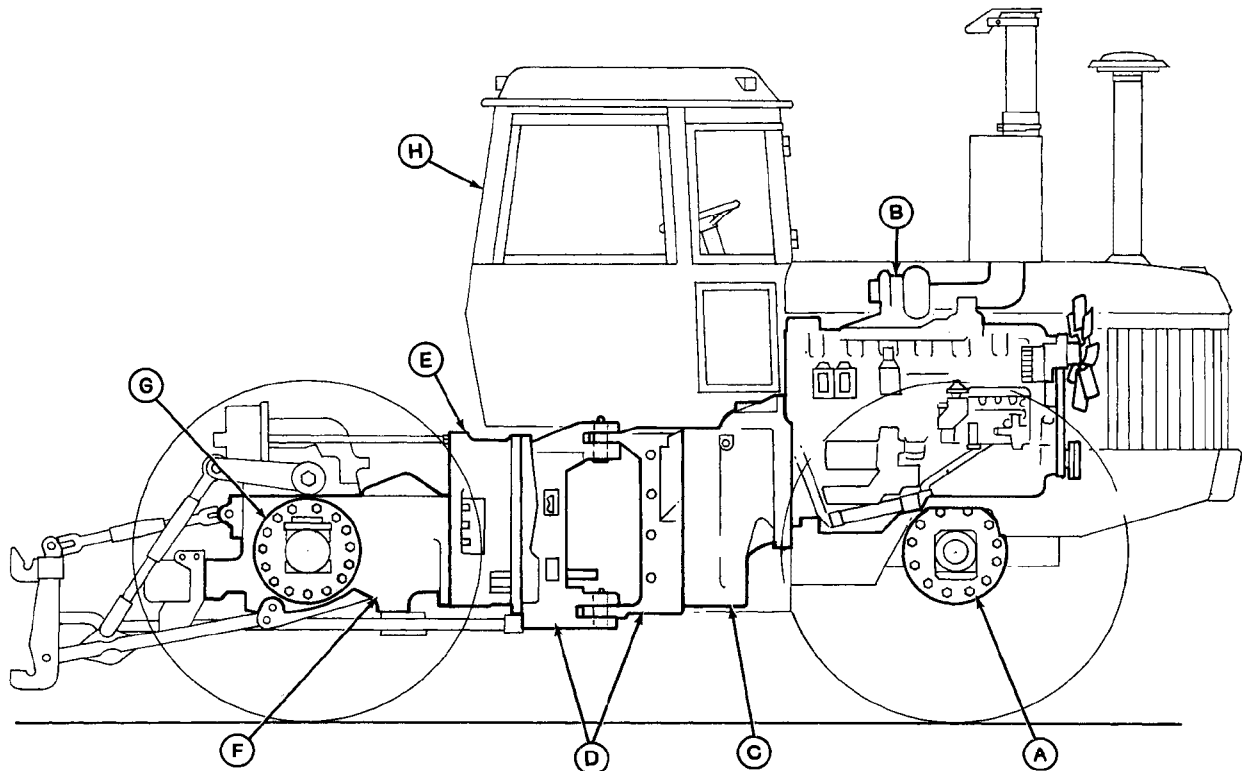
GREASES

Use John Deere Multi-Purpose Lubricant or an equivalent SAE multipurpose-type grease for all grease fittings. Application of grease as instructed in the lubrication section will provide proper lubrication and will keep contamination out of bearings.

STORING LUBRICANTS

Your tractor can operate at top efficiency only if clean lubricants are used. Use clean containers to handle all lubricants. Store them in an area protected from dust, moisture, and other contamination.

Group 25 SEPARATION



R 25270N

A—Front Drive
B—Engine
C—Clutch Housing

D—Hinge
E—Torque Divider
F—Transmission

G—Final Drive
H—Sound Gard Body

Fig. 1-Basic Separation Components

GENERAL INFORMATION

Separation of the tractor may be subdivided into the following components (Fig. 1): Front drive (A), engine (B), front end, clutch housing (C), front hinge, hinge pin, rear hinge, torque divider (E), transmission (F), final drive (G) and Sound-Gard body (H). Basic separation of these components will be explained within this group, except for the Sound-Gard body covered in Section 80, and final drive covered in Section 50.

⚠ CAUTION: Always use the hinge lock bars, provided with the tractor, whenever front or rear of tractor is raised. See operator's manual for installation of lock bars.

It is important to determine beforehand, which component has to be removed and the best method to use in removing the component, in order to perform the required service in the shortest possible time. For example, it is possible to gain access to the engine clutch two different ways: (1) Removing engine and tractor front end from clutch housing, (2) Removing tractor front end, then removing engine from clutch housing. The method selected will be determined by the total service requirements for any particular job, and on personal choice.

Once a basic component has been removed from the tractor, refer to the appropriate section of this manual for detailed service information.