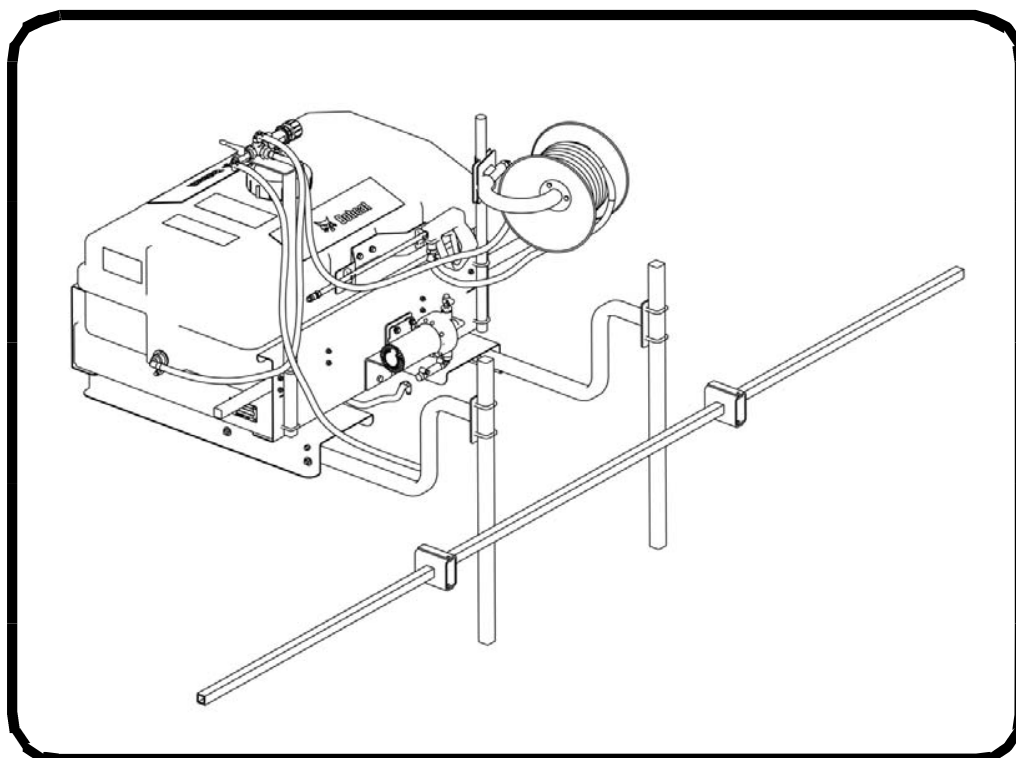




Service Manual

Sprayer

(Sprayer 40) S/N A7W300101 & Above
(Sprayer 50) S/N 005900101 & Above
(Sprayer 75) S/N 005400101 & Above
(Sprayer 80) S/N A7F200101 & Above



MAINTENANCE SAFETY



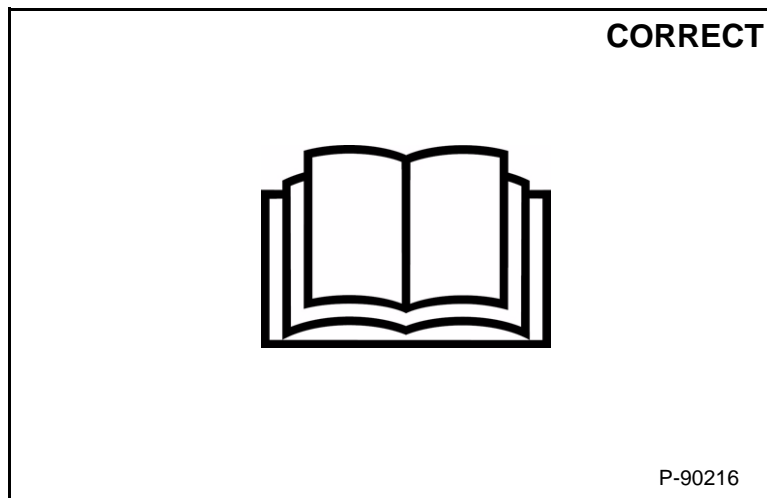
WARNING









Instructions are necessary before operating or servicing machine. Read and understand the Operation & Maintenance Manual, Operator's Handbook and signs (decals) on machine. Follow warnings and instructions in the manuals when making repairs, adjustments or servicing. Check for correct function after adjustments, repairs or service. Untrained operators and failure to follow instructions can cause injury or death.

W-2003-0807



Safety Alert Symbol: This symbol with a warning statement, means: "Warning, be alert! Your safety is involved!" Carefully read the message that follows.



-  Never service attachments / implements without instructions. See Operation & Maintenance Manual and Attachment / Implement Service Manual.
-  Cleaning and maintenance are required daily.
-  Never service or adjust attachment / implement with the engine running unless instructed to do so in manual.
-  Always lower the attachment / implement to the ground before lubricating or servicing.
-  Avoid contact with leaking hydraulic fluid or diesel fuel under pressure. It can penetrate skin or eyes.
-  Stop, cool and clean engine of flammable materials before checking fluids.
-  Keep body, loose objects and clothing away from moving parts, electrical contacts, hot parts and exhaust.
-  Safety glasses are needed for eye protection from electrical arcs, battery acid, compressed springs, fluids under pressure and flying debris or when tools are used. Use eye protection approved for type of welding.



Bobcat®

CONTENTS

SAFETY & MAINTENANCE	10-01
ELECTRICAL SYSTEM	20-01
MAINFRAME	30-01
SPECIFICATIONS	SPEC-01
ALPHABETICAL INDEX	INDEX-01



Bobcat®

FOREWORD

SERIAL NUMBER LOCATION	1-7
DELIVERY REPORT	1-7
ATTACHMENT IDENTIFICATION	1-8
Sprayer 40	1-8
Sprayer 50	1-9
Sprayer 75	1-10
Sprayer 80	1-11



Bobcat®

SERIAL NUMBER LOCATION

Figure 1

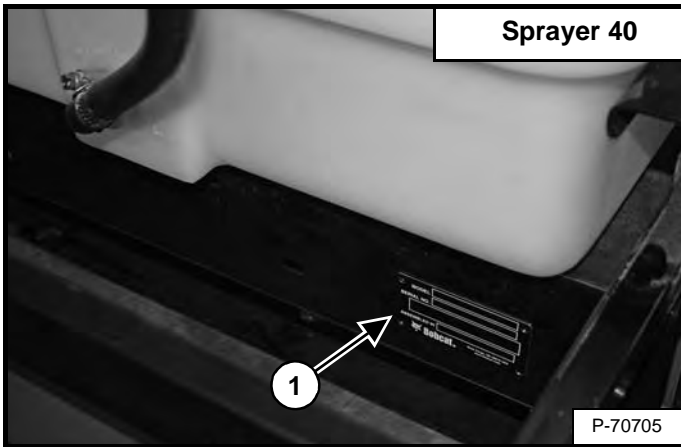


Figure 2

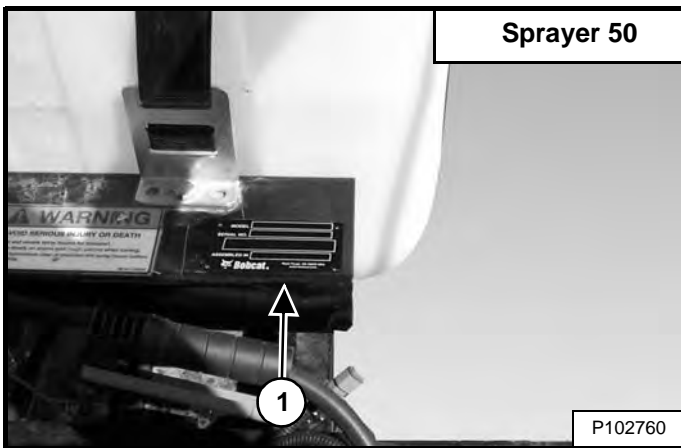


Figure 3

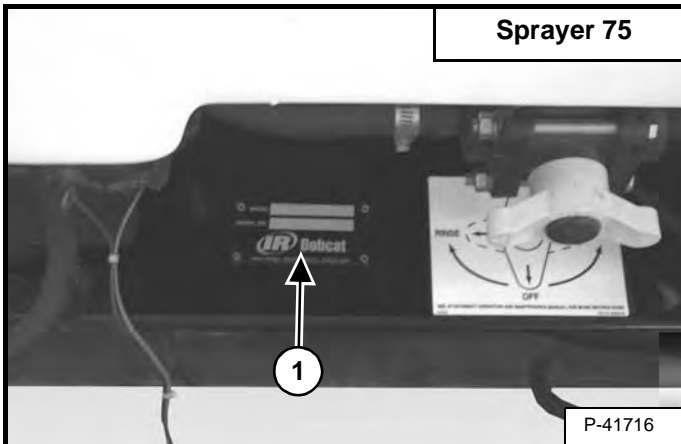
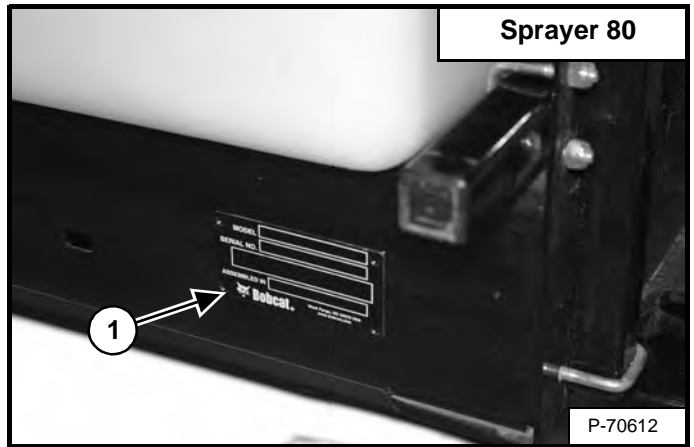


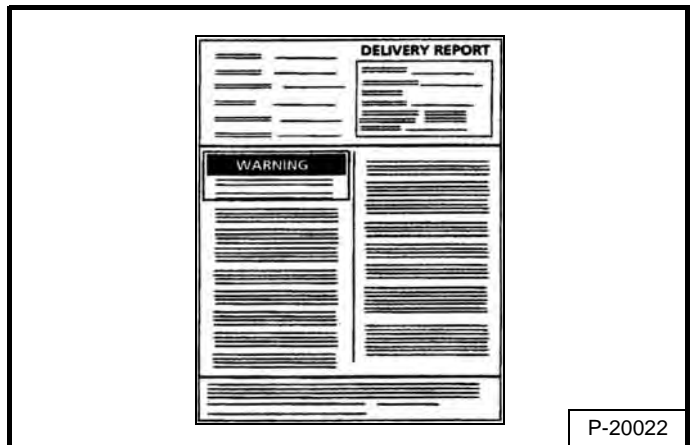
Figure 4



Always use the serial number (Item 1) [Figure 1], [Figure 2], [Figure 3] and [Figure 4] of the sprayer when requesting service information or when ordering parts. Early or later models (identification made by serial number) may use different parts, or it may be necessary to use a different procedure in doing a specific service operation.

DELIVERY REPORT

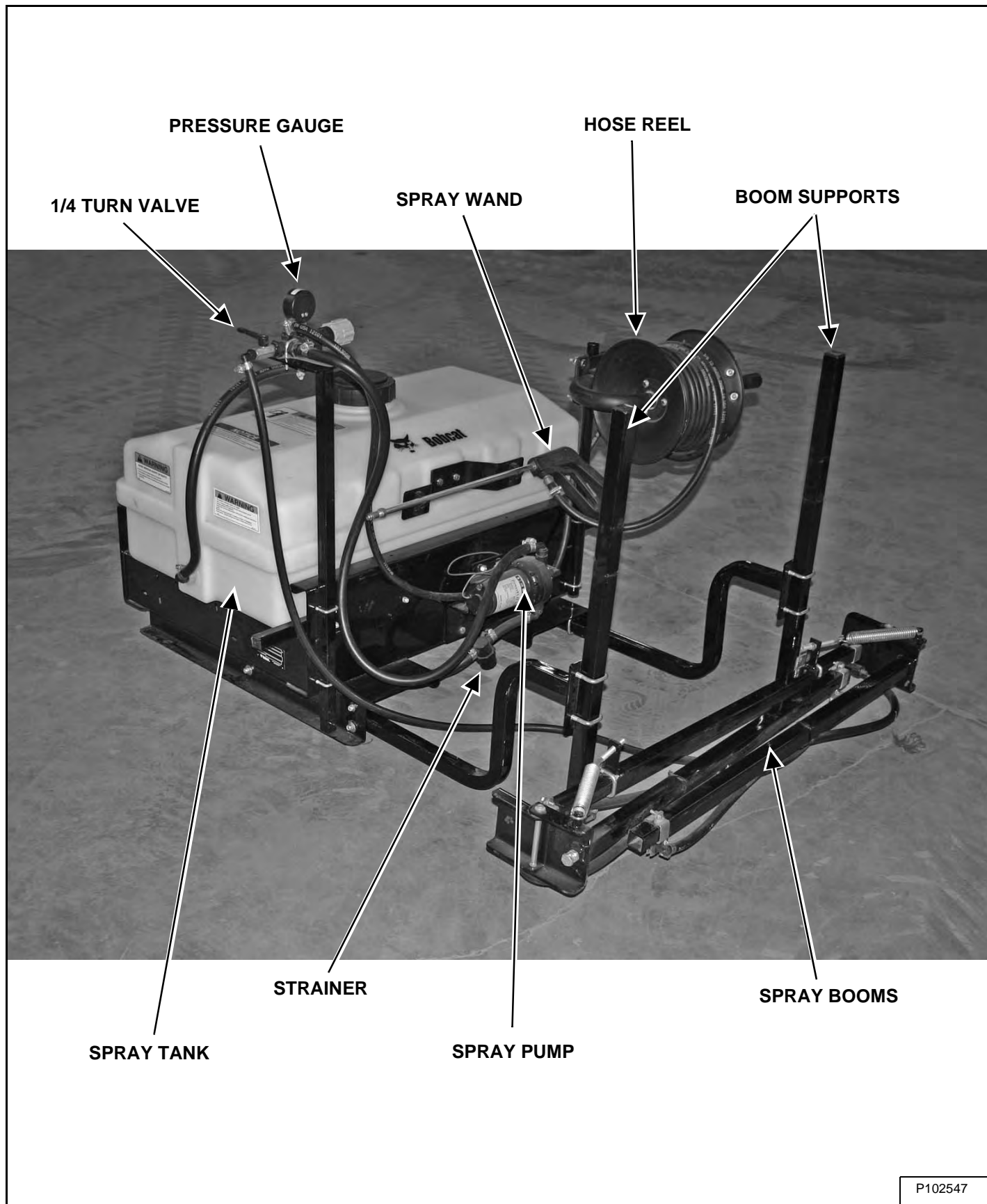
Figure 5



The delivery report [Figure 5] must be completed by the dealer and signed by the owner or operator when the sprayer is delivered. An explanation of the form must be given to the owner.

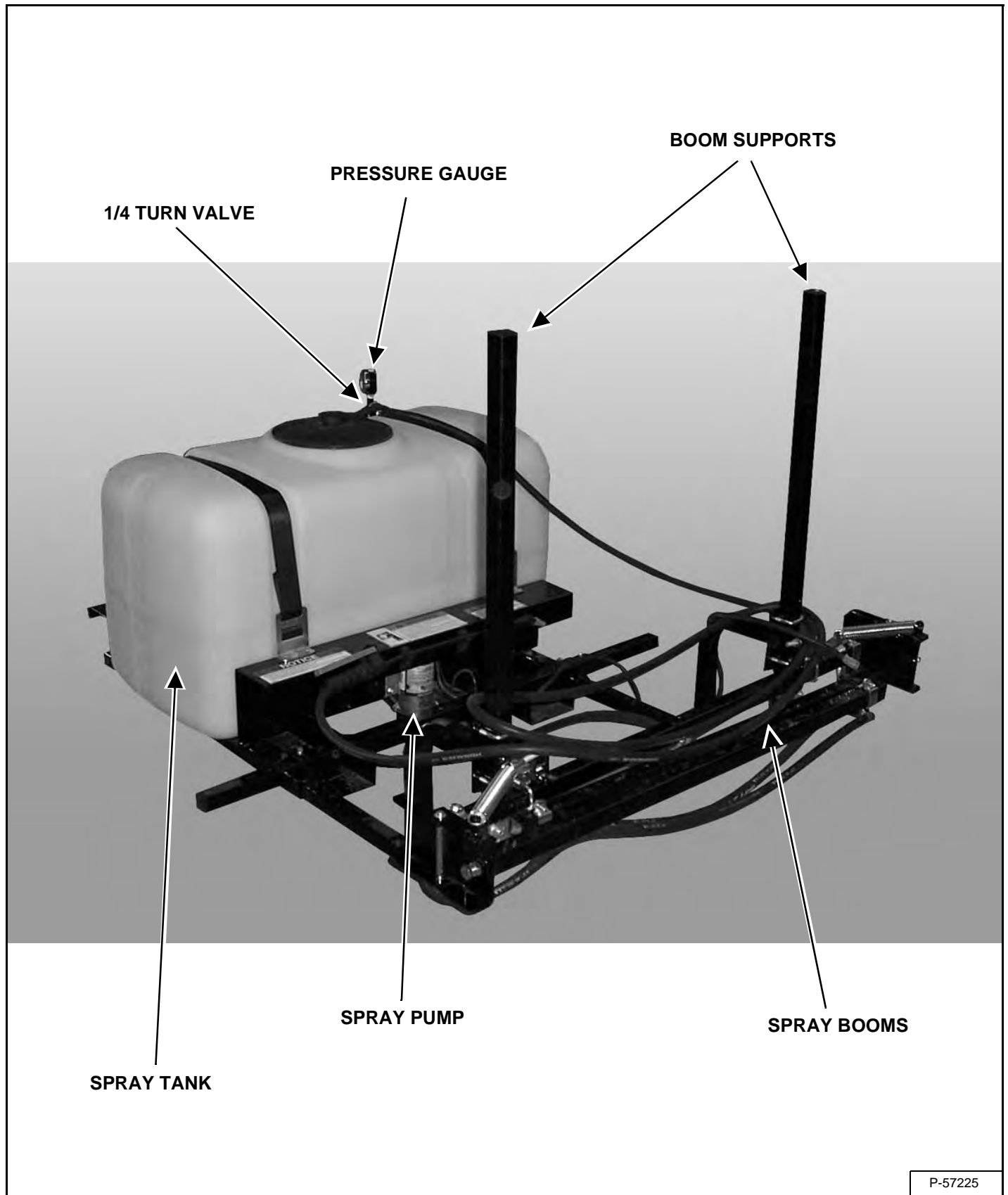
ATTACHMENT IDENTIFICATION

Sprayer 40



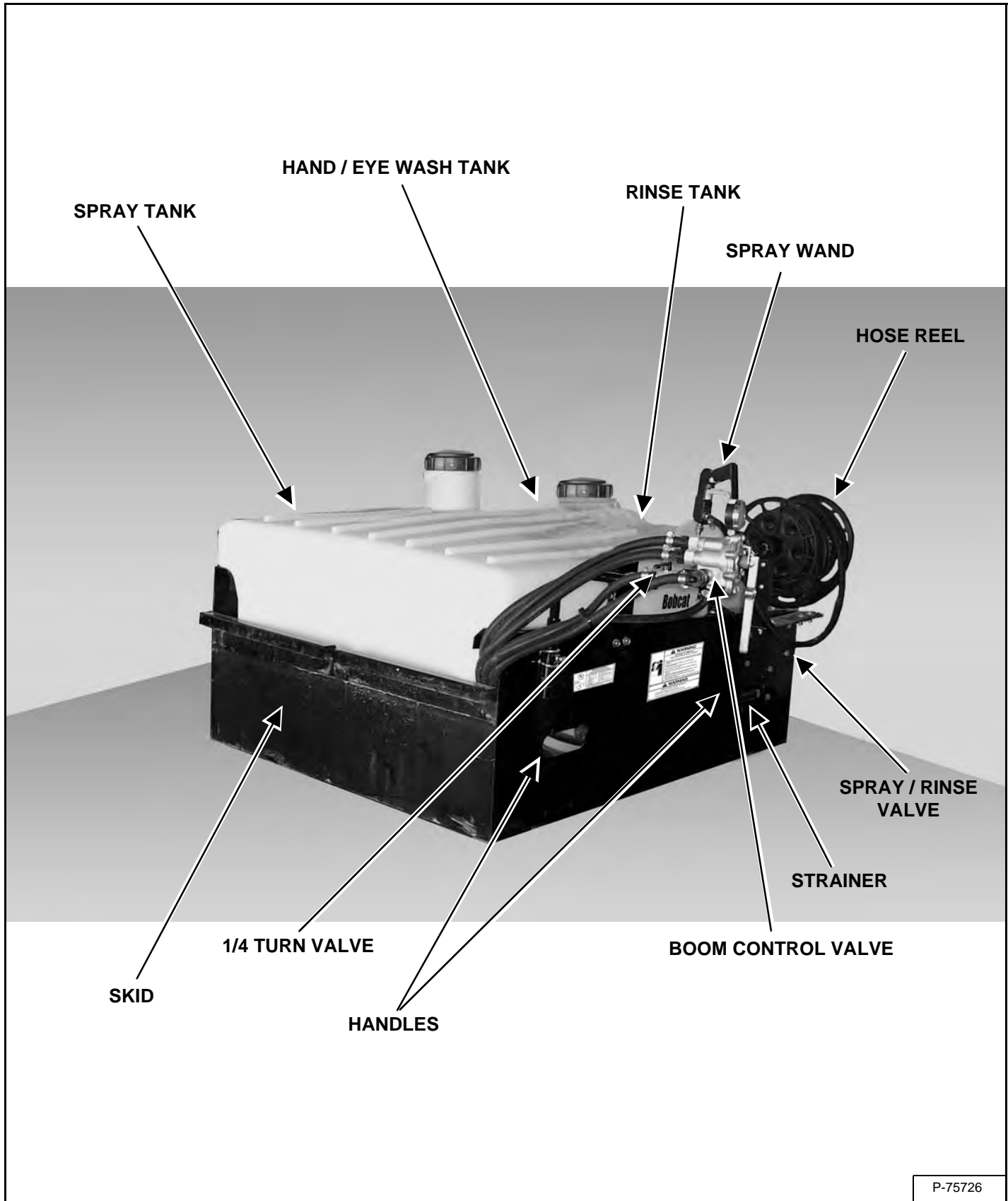
ATTACHMENT IDENTIFICATION (CONT'D)

Sprayer 50



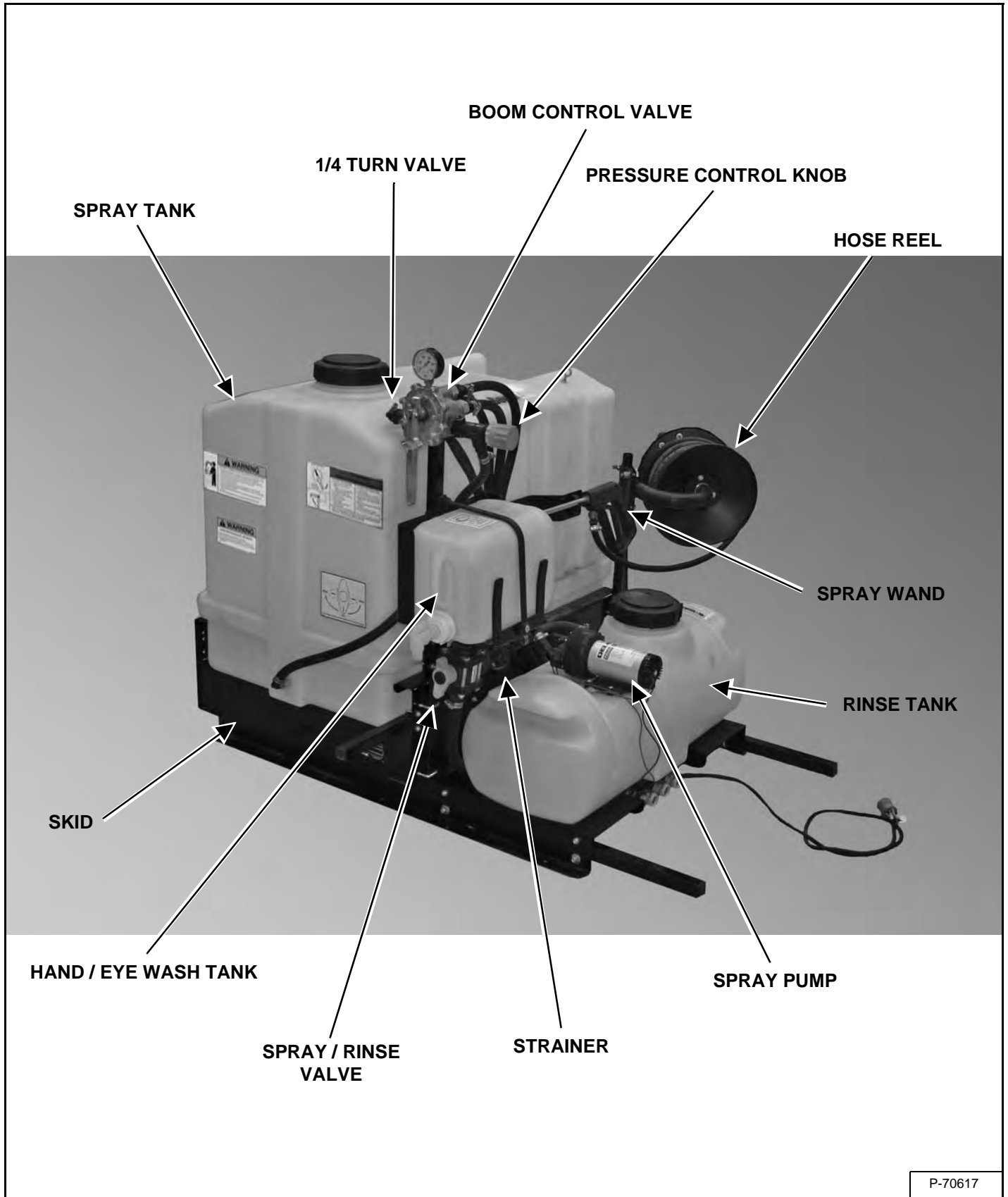
ATTACHMENT IDENTIFICATION (CONT'D)

Sprayer 75



ATTACHMENT IDENTIFICATION (CONT'D)

Sprayer 80





Bobcat®

SAFETY & MAINTENANCE

SAFETY INSTRUCTIONS	10-10-1
Use Safety Rules	10-10-1
Rules For Safe Use Of Chemicals	10-10-1
TROUBLESHOOTING	10-20-1
Chart	10-20-1
INSPECTION	10-30-1
Hoses	10-30-1
Nozzle Inspection	10-30-1
STRAINER	10-40-1
Removal And Installation	10-40-1



Bobcat®

SAFETY INSTRUCTIONS

Use Safety Rules

- Read and follow instructions in the machine and the attachment's Operation & Maintenance Manual before operating.
- In addition to the design and configuration of equipment, hazard control and accident prevention are dependent upon the awareness, concern, prudence and proper training of personnel involved in the operation, transport, maintenance and storage of equipment.
- Check that the Bob-Tach levers are in the locked position and the wedges are fully engaged into the holes of the attachment (if applicable).
- Check that the attachment is securely fastened to the machine.
- Make sure all the machine controls are in the NEUTRAL position before starting the machine.
- Operate the attachment only from the operator's position.
- When learning to operate the attachment, do it at a slow rate in an area clear of bystanders.
- DO NOT permit personnel to be in the work area when operating the machine and attachment.
- The attachment must be used ONLY on approved machines. See your Bobcat dealer for updated list of approved attachments for each machine model.
- DO NOT modify equipment or add attachments that are not approved by the manufacturer.
- DO NOT make any adjustments or repairs on the machine or attachment while the engine is running.

Rules For Safe Use Of Chemicals

- Always read the label before using chemicals. Follow instructions from chemical manufacturer on how to select, use and handle each chemical. Note protection information each time before opening the container.
- Verbal warnings must be given if written warnings cannot be understood by workers.
- Do not spill chemicals on skin or clothing. If chemicals are spilled, remove contaminated clothing immediately and wash skin (and clothing) thoroughly with soap and water. Wash hands and face with soap and water and change clothing after spraying. Wash clothing each day before reuse.
- The spray tank and system should be emptied of chemical mixture and flushed with clean water before servicing the spray system or spray components. Clean machine of all chemical residue before servicing.
- Avoid inhaling chemicals. When directed on the label, wear protective clothing, face shield or goggles.
- Never smoke while spraying or handling chemicals.
- Cover food and water containers when spraying around livestock or pet areas.
- If symptoms of illness occurs during or shortly after spraying, call a physician or go to a hospital immediately.
- Follow label directions and advise to keep residues on edible portions of plants within the limits permitted by law.
- Keep chemicals out of the reach of children, pets and unauthorized personnel. Store them outside of the home, away from food and feed and lock them in a secure area.
- Keep bystanders away from spray drift.
- Always store chemicals in original containers and keep them tightly closed. Never keep them in anything but the original container. Read labels for hazards about chemical reaction with certain types of metals.
- Always dispose of empty containers according to manufacturer's directions.

SI SPRAYER-0208



Bobcat®

Dear

**Thanks very much for your visiting and
patience.**

Want to get more information,

Please click here, Go back to the page.

**After your payment, you will have instant access to
your download.**

The Download Link will also be sent to your e-mail.

You will get the complete manual

Have any questions

please write to me

admin@servicemanualperfect.com